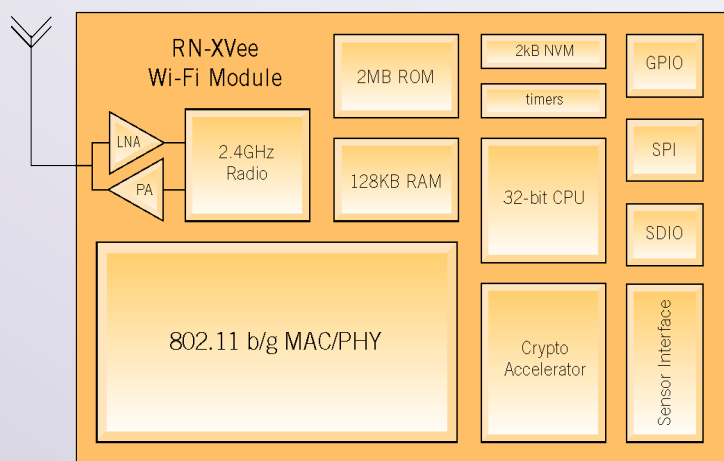




RN-XVee

Wi-Fi Module

Provides drop in, certified Wi-Fi connectivity for existing systems using 802.15.4 modules



RN-XVee

Power

Sleep Current	4µA
Rx Current	35mA (while connected)
Tx Current	120mA @ 0dBm
Range (LoS)	~200m
Antenna options	Wire, SMA*, UFL*, chip*
Dimensions (max)	22mm x 32.94mm (0.960" x 1.297")

*Custom configuration with extended lead times.

RN-XVee

- Direct internet connectivity
- Full 802.11 b/g data rate support
- Onboard TCP/IP stack
- Infrastructure and AdHoc modes
- Ultra low power operation
- Industrial temperature range
- Multiple antenna options
- FCC, CE, IC and Wi-Fi certifications